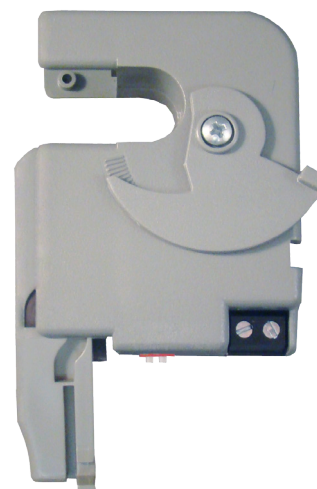
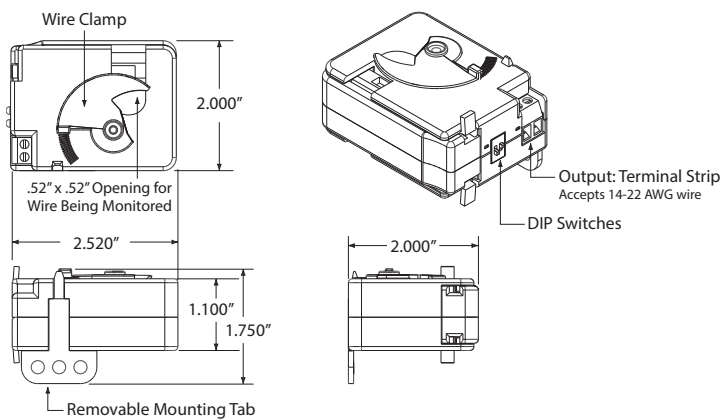


AC TRANSDUCER

RIBXGTV10

Enclosed Self-Powered Split Core Multi-Range (0-20A, 50A, or 100A) AC Transducer with 0-10Vdc Terminal Output



Made in USA
Meets
"Buy American"
of ARRA 2009

SPECIFICATIONS

Operating Temperature: -30 to 140° F
Humidity Range: 5 to 95% (noncondensing)
Accuracy: 96.8% Full Scale
Loading: RIBXGTV10, (0-20 Amp), 5% Error @ 67 kΩ
 RIBXGTV10, (0-50 Amp), 5% Error @ 31.6 kΩ
 RIBXGTV10, (0-100 Amp), 5% Error @ 18.1 kΩ

Max Sense Voltage: 600 Vac
Approvals: UL Listed, UL916, UL864, California State Fire Marshal, C-UL, CE, RoHS
Mounting/Installation: Removable mounting tab provided. The wire clamp locks against the wire being monitored, securing the unit in place.
Sensor Type: Split core with voltage output

DIP SWITCH		
1	2	Sensing Range
OFF	OFF	0-20 Amp
OFF	ON	0-50 Amp
ON	OFF	0-100 Amp